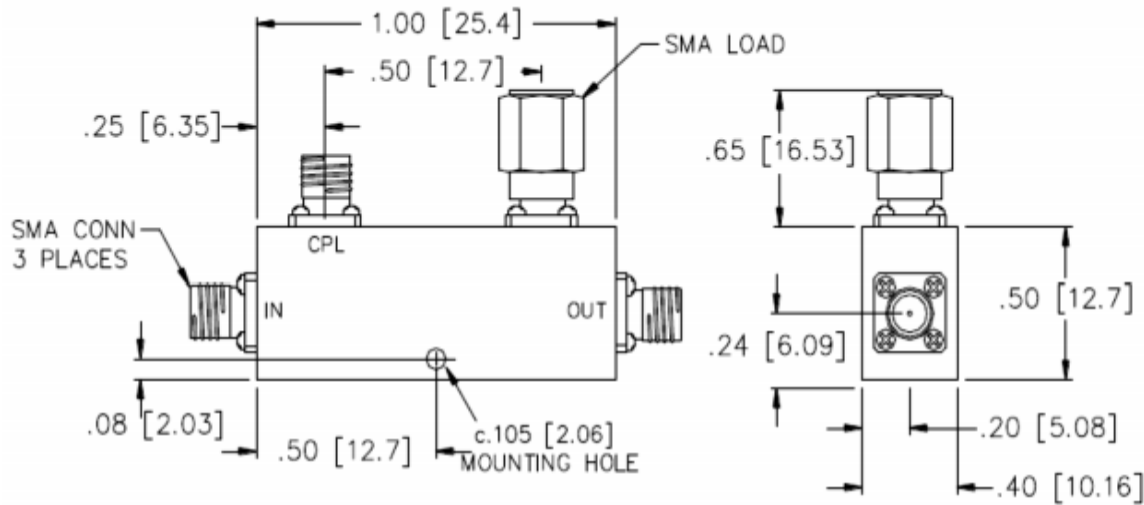


DC-12.5G18G-6-S is a $6\pm 1\text{dB}$ coupling directional coupler, designed to operate over the 12.5 to 18.0 GHz frequency range, with compact size. This model is designed to handle 4W mx input power, and also performs with low insertion loss of 0.6dB max and with coupling flatness of $\pm 0.5\text{dB}$ max, and low VSWR of 1.4 max.

Mechanical Outline(Inch/mm):




Specifications:

Coupling:	$6\pm 1\text{dB}$
Frequency:	12.5 to 18.0 GHz
Insertion Loss:	0.6dB max
Coupling flatness:	$\pm 0.5\text{dB}$ max
Directivity:	15dB min
Power Handling:	50W max
VSWR:	1.4:1 max
Connectors:	SMA-F(N Optional)

Environmental Ratings:

Temperature:	-25°C to +71 °C Operating -65 °C to +100 °C Non-Operating
Vibration:	MIL-STD-202F, Method 204D Cond. B
Altitude:	MIL-STD-202F, Method 105C Cond. B
Temperature Cycle:	MIL-STD-202F, Method 107D Cond. A

Directional Coupler DC-12.5G18G-6-S			
DRAWN:	DWG NO.:	REV CODE: Rev.1.0	 www.connphy.com sales@connphy.com
CHECKRD:	DATE: 18/04/15	SHEET : 1 OF 1	
ISSUED:	SIZE: A	SCALE : N / A	Notes: SPEC ARE SUBJECT TO CHANGE WITHOUT NOTICE.